

The programmable logic control microprocessor has the intelligence to monitor and control the following built-in safety features:

#### Safety on Opening Cycle

If there is an obstruction during opening cycle, the logic control will automatically stop the doors for a pre-set period of time before retrying to open again. Such logic will be repeated until the obstruction is completely removed and the doors can open fully to normal operation.

#### Safety on Closing Cycle

If there is an obstruction during closing cycle, the logic control will open the doors fully and stay open for a pre-set period of time before retrying to close normally. Such logic will be repeated until the obstruction is completely removed and the doors can close fully to normal operation.

#### Adjustable Opening and Closing Speed Cycle

The pace of opening and closing speeds can be adjusted to accommodate all applications and safety requirements, being the closing speed is always pre-set to slower than the opening speed.

#### Adjustable Time Delay at Closing (Hold Open Time)

The duration that the doors (under normal automatic operation) will remain open, can be adjusted up to 15 seconds to suit all sort of traffic requirements.

#### Safety Photo Electric Beam Sensors

The A-BEAMC1/A-HRBP2 is available with single or double beams. It consists of small controller which prevents the door from closing should either beam be obstructed, or in the event of disappearance of the supply voltage or cable breakage between the door operator and the controller. The sensor has high immunity to reflected sunlight, incandescent lamp or electrical and radiofrequency interference.

#### Failsafe UPS System Reset/Restore

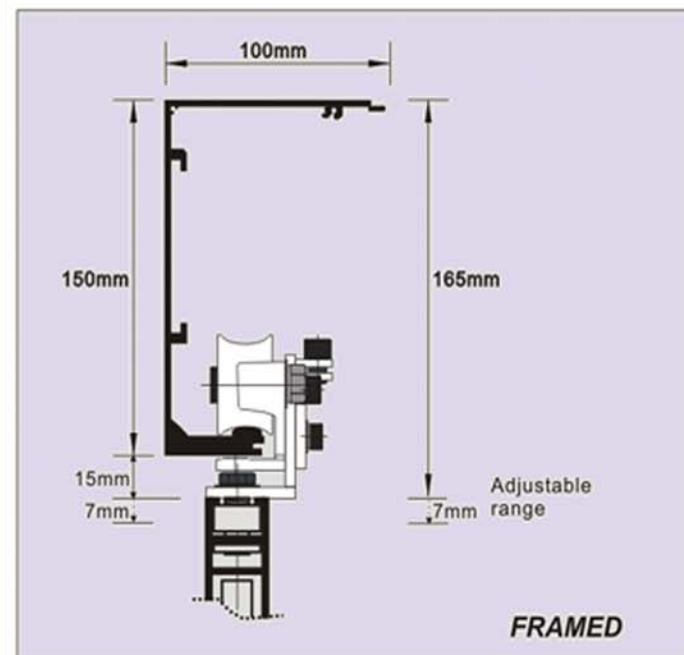
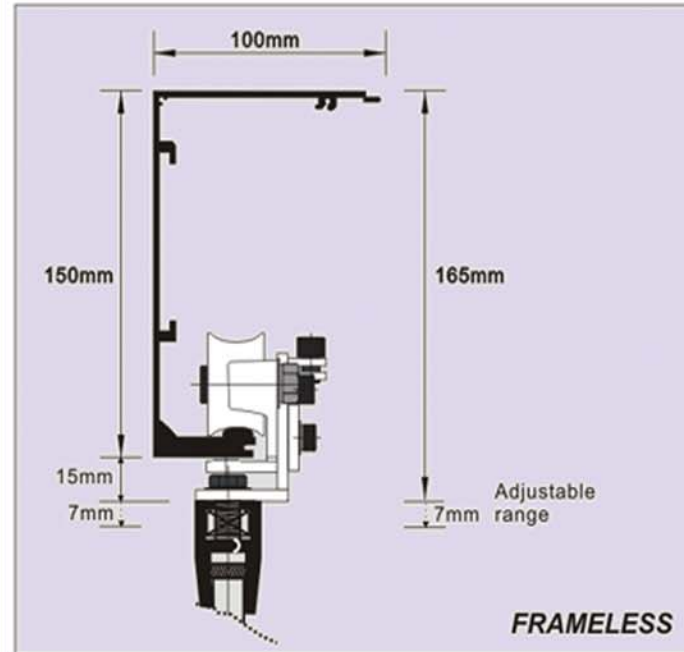
At the time of power failure, the failsafe UPS system will fully open the doors which can then be manually closed or automatically restored to normal operation when the power is resumed. In the case when there is no UPS system, the doors can be opened or closed by hand under a force of not more than 110N (or check your country regulation).

#### Remote Control Interface (available as an option)

The AUSDOOR A-RC4W-2 remote control unit provides the convenience in setting such functions as; STAY OPEN, AUTO, CLOSE and ONE WAY wirelessly. Suitable for banks, jewellery shops or petrol stations operator to control customer access appropriately.

### SPECIFICATIONS

	EZY-300A		EZY-500A	
Door Weight	1 x Max.180kg	2 x Max.150kg	1 x Max. 260kg	2 x Max.250kg
Door Width	250mm-1000mm			
Opening Speed	200-500mm/sec.			
Closing Speed	150-450 mm/sec.			
Voltage Input	AC220±10% · 50Hz-60Hz			
Voltage Output	DC24V			
Motor Type	DC24V Brushless Motor with Worm Gear Box Reducer			
Ambient Temperatures	-20°C - +55°C			
Power Consumption	<150W		<180W	
Time Delay, Closing	1-15sec.			



#### YOUR NEAREST REPRESENTATIVE



#### AUSDOOR EZY-300A / EZY-500A SERIES

#### AUTOMATIC SLIDING DOOR OPERATORS



### AUSDOOR Industries (Australia)

12 Dods Street, Brunswick, Victoria, Australia 3056



AUSDOOR Industries provides all types of doors automation & doors security products suitable for commercial, industrial and home offices.

Being the manufacturer, we are able to design a door control unit or a door security system of your own requirements.

P. 61 3 9380 6505

F. 61 3 9380 4909

[www.ausdoor.com](http://www.ausdoor.com)